

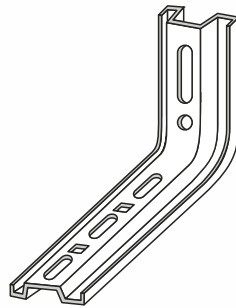
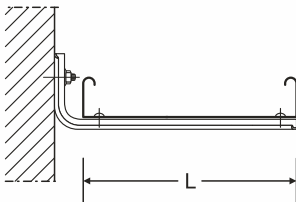
**PG:** to be used indoors in almost dry atmosphere

**DG:** to be used outdoors or indoors in humid atmosphere

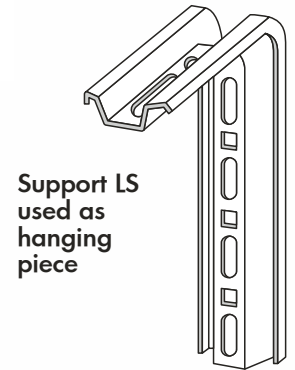
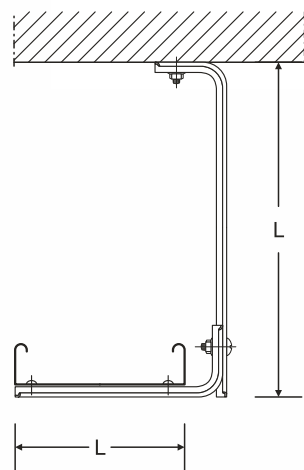
- ELVO support can be used in 2 ways:

- either as a wall mounted bracket. The admissible length is  $L=100, 200$  or max  $300$  mm.
- or as hanging piece (see application p.10/04). In this case the vertical bracket can be between  $100$  and  $600$  mm.

Supports LS used as bracket

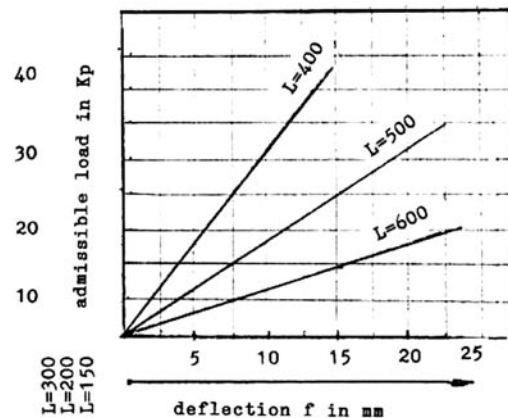
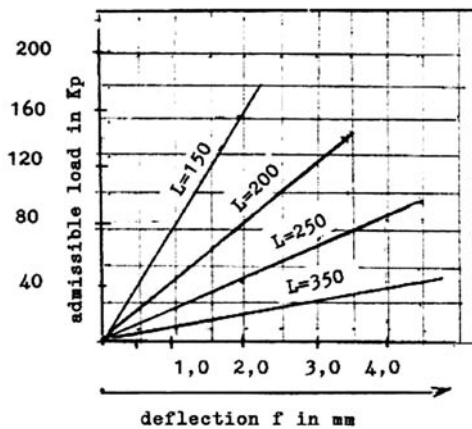


### ELVO - Brackets 10 LS



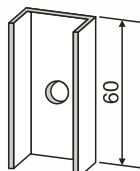
Support LS used as hanging piece

L mm	Part Nr. PG	Part Nr. DG	Weight KG/p
150	<b>10 LS-10.PG</b>	<b>10 LS-10.DG</b>	
200	<b>10 LS-15.PG</b>	<b>10 LS-15.DG</b>	
250	<b>10 LS-20.PG</b>	<b>10 LS-20.DG</b>	
350	<b>10 LS-30.PG</b>	<b>10 LS-30.DG</b>	
450	<b>10 LS-40.PG</b>	<b>10 LS-40.DG</b>	
550	<b>10 LS-50.PG</b>	<b>10 LS-50.DG</b>	
650	<b>10 LS-60.PG</b>	<b>10 LS-60.DG</b>	



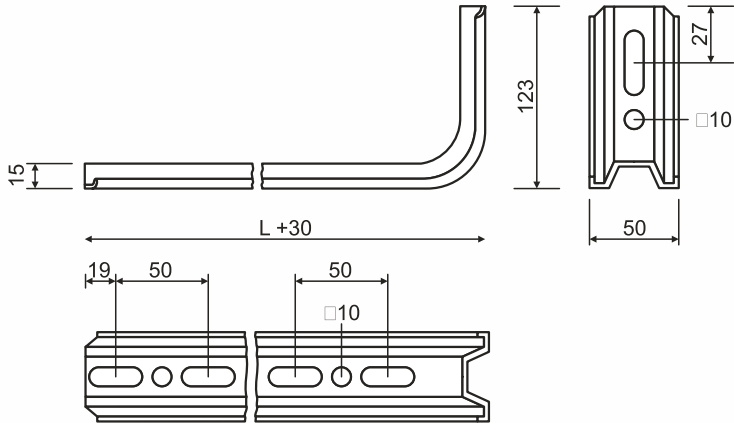
### Distance piece

Part Nr.	Weight KG/p
<b>10SDP-4.PG</b>	
<b>10SDP-4.DG</b>	

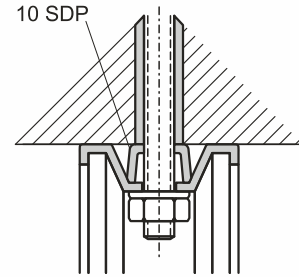


## ELVO - Brackets LS

### Dimension



### Fixing details



### Applications

