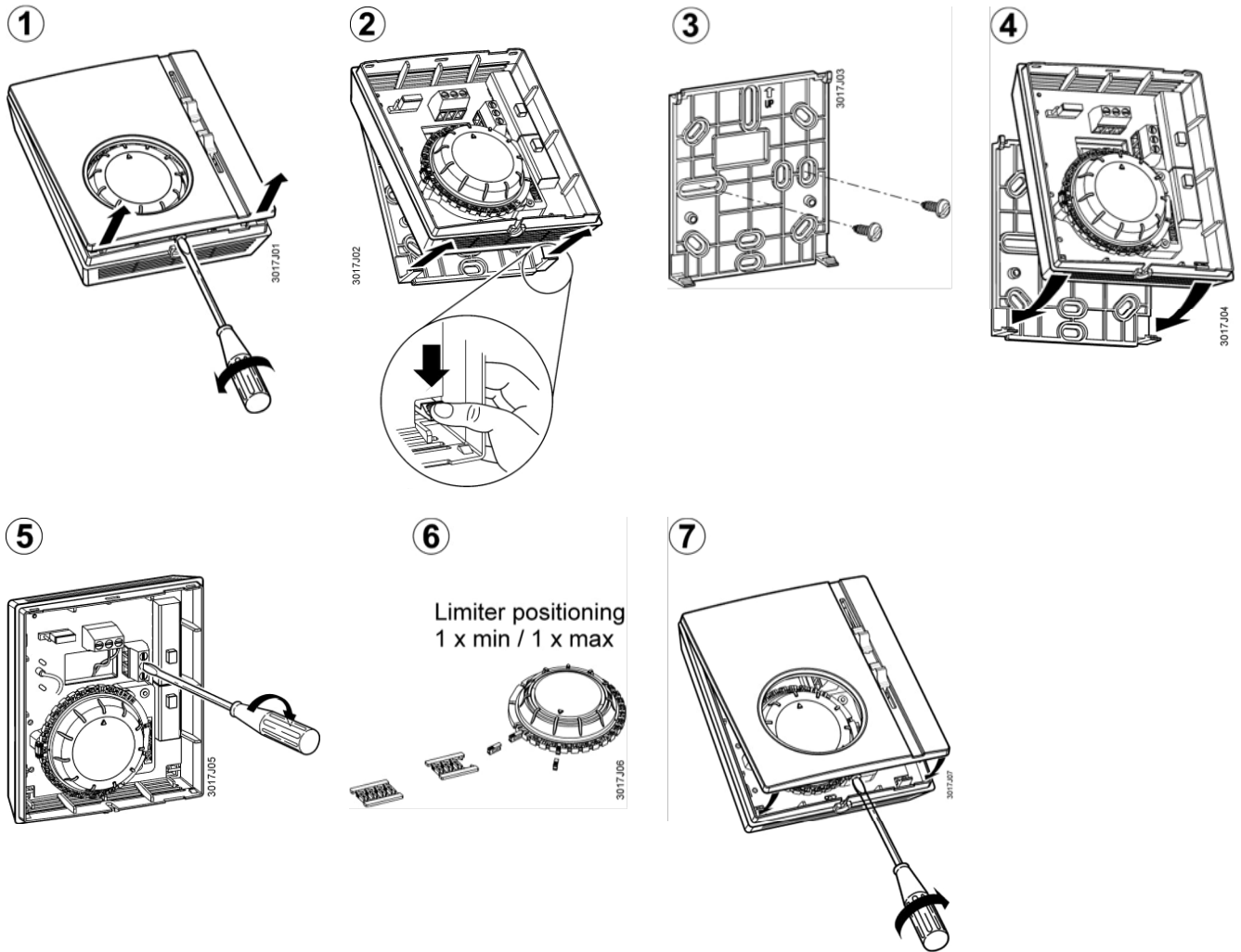


cs Montážní list
da Installationsvejledning
de Installationsanleitung
el Οδηγίες Εγκατάστασης
en Installation Instructions
es Instrucciones de montaje

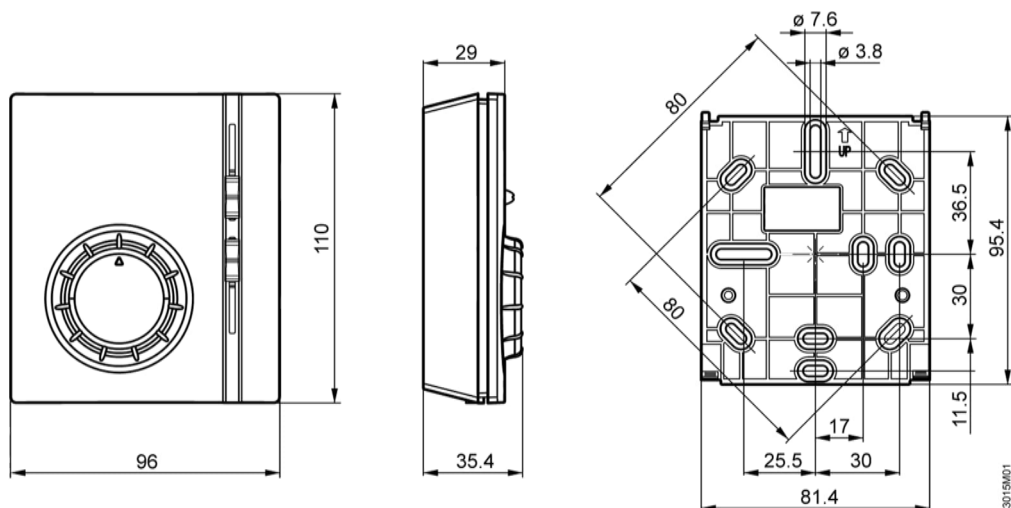
fi Asennusohje
fr Instructions d'installation
hu Telepítési leírás
it Istruzioni di montaggio
nl Installatie-aanwijzing
pl Instrukcja montażu

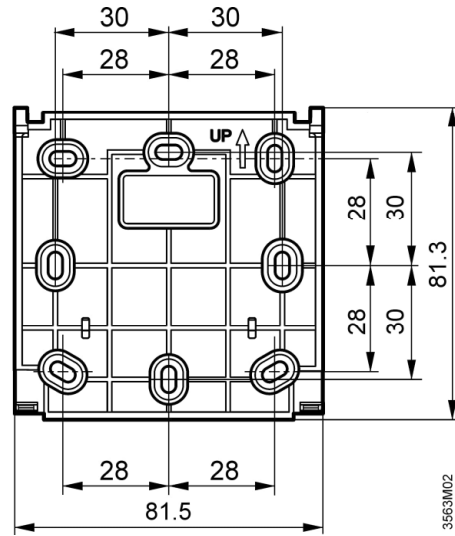
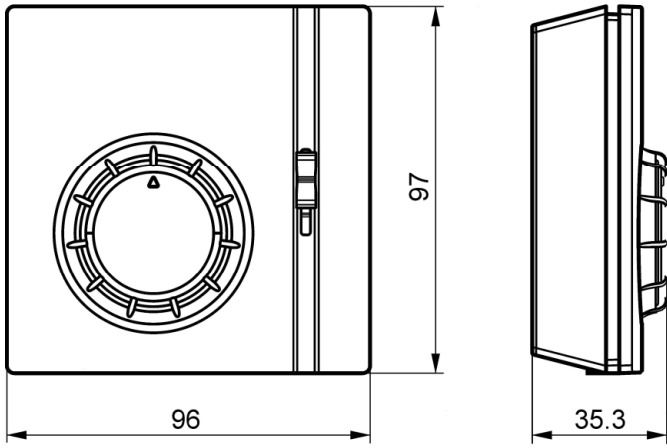
pt Instruções de montagem
sk Návod na montáž
sv Installationsanvisning
tr Montaj talimatları
zh 安装说明书

RAB...

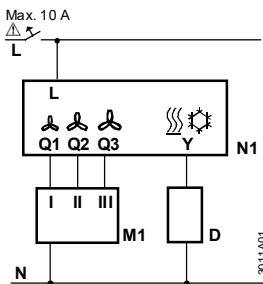


RAB11, RAB11.1, RAB21, RAB21.1, RAB31, RAB31.1



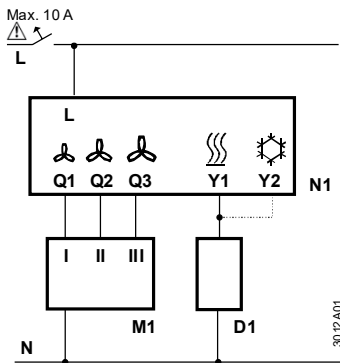


Dimensions in mm



RAB11, RAB11.1

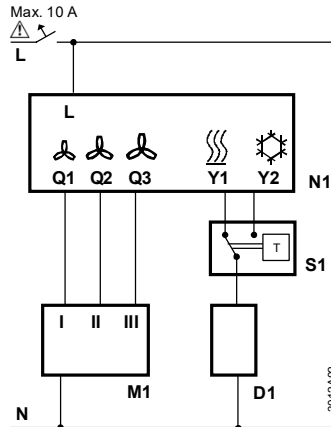
- L Switching voltage AC 24...250 V
- M1 3-speed fan
- N Neutral
- N1 Room thermostat
- Q1 Control output "Fan speed I", AC 24...250 V
- Q2 Control output "Fan speed II", AC 24...250 V
- Q3 Control output "Fan speed III", AC 24...250 V
- Y Control output "Valve actuator", AC 24...250 V
- D Zone valve or thermal valve



RAB21, RAB21.1

Heating or Cooling

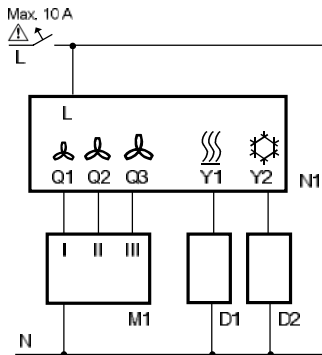
- D1 Zone valve or thermal valve for heating or cooling
- L Switching voltage AC 24...250 V
- M1 3-speed fan
- N Neutral
- N1 Room thermostat



RAB21, RAB21.1

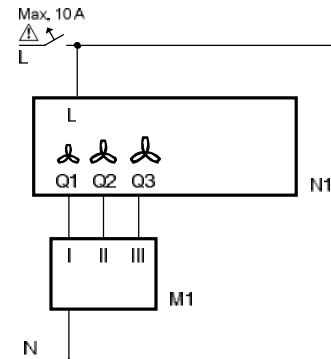
Changeover for heating or cooling with external aquastat

- Q1 Control output "Fan speed I", AC 24...250 V
- Q2 Control output "Fan speed II", AC 24...250 V
- Q3 Control output "Fan speed III", AC 24...250 V
- Y1 Control output "Valve actuator heating", AC 24...250 V
- Y2 Control output "Valve actuator cooling", AC 24...250 V
- S1 Aquastat e.g. Z182 / RYT182



RAB31, RAB31.1

- D1 Zone valve or thermal valve for heating
- D2 Zone valve or thermal valve for cooling
- L Switching voltage AC 24...250 V
- M1 3-speed fan
- N Neutral
- N1 Room thermostat
- Q1 Control output "Fan speed I", AC 24...250 V
- Q2 Control output "Fan speed II", AC 24...250 V
- Q3 Control output "Fan speed III", AC 24...250 V
- Y1 Control output "Valve actuator heating", AC 24...250 V
- Y2 Control output "Valve actuator cooling", AC 24...250 V



RAB91

- L Switching voltage AC 24...250 V
- M1 3-speed fan
- N Neutral
- N1 Room thermostat
- Q1 Control output "Fan speed I", AC 24...250 V
- Q2 Control output "Fan speed II", AC 24...250 V
- Q3 Control output "Fan speed III", AC 24...250 V