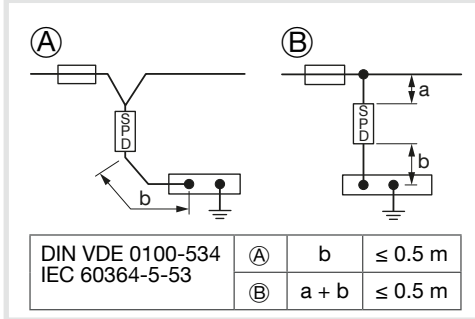
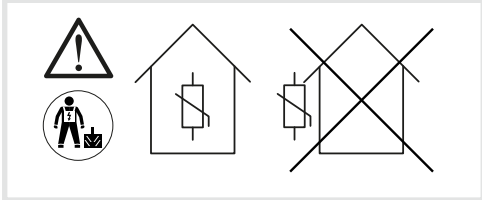


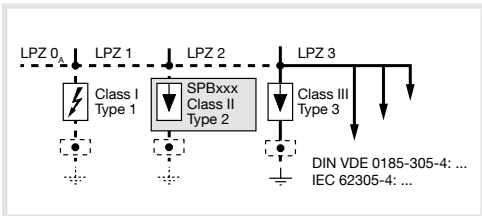
- (FR) Parafoudre
- (EN) Surge protection device
- (DE) Überspannungsableiter
- (IT) Scaricatore
- (ES) Pararrayos
- (PT) Limitador de sobretensões
- (AR) ضد البرق

SPB140D/R, SPB165R, SPB215D/R, SPB240D/R, SPB265R, SPB340D/R, SPB365R, SPB415D/R, SPB440D/R, SPB465R



3 Nm (1.5-16 mm²)
4.5 Nm 25-35 mm²)

16 mm	16 mm
min. L, N, PE, ≡	1.5 mm ²
max. L, N, PE, ≡	25 mm ² 35 mm ²

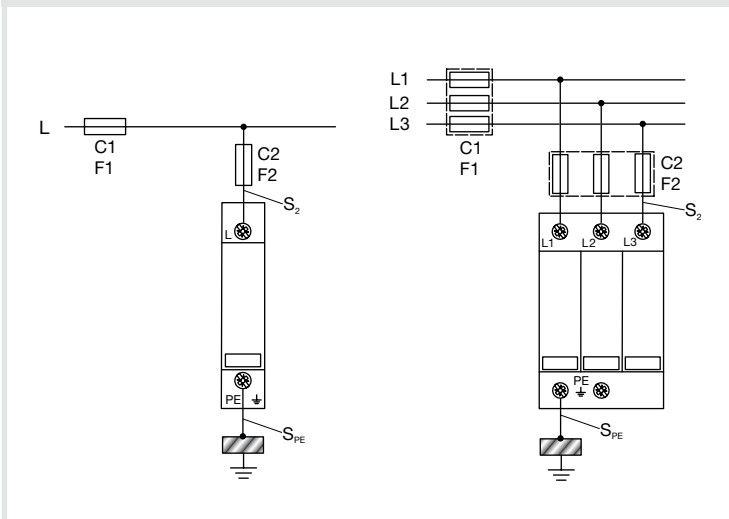


EN 61643-11 IEC 61643-11	Type 2 Class II
TT/TN/TNC-S	OK
U_n	240/415V (50/60 Hz)
I_{pe}	<5 μA (SPB2xxx, SPB4xxx) <0.45 mA (SPB1xxx, SPB3xxx)
I_{fi} (N-PE)	100A _{rms}
Humidity	5%...95%
9°C	-40/+80°C
Ports	1
IP code	20 (built in)
U_c	275V (L-N); 260V (N-PE) 320V (L-N); 264V (N-PE) - SPBx65R

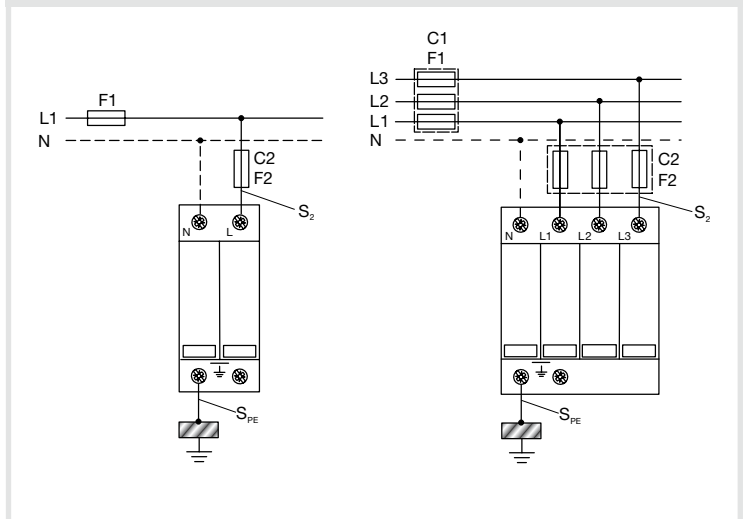
	I _n (8/20 μs)	I _{max} (8/20 μs)	U _p	C2 max. hager	F2 max	I _{scrr}	L-N N-PE
SPB215D/R SPB415D/R	5 kA	15 kA	≤ 1 kV	32A"C"	125 AgG	25 kA _{rms}	SPB015D SPB040N
SPB140D/R SPB240D/R SPB340D/R SPB440D/R	20 kA	40 kA	≤ 1.35 kV	32A"C"	125 AgG	25 kA _{rms}	SPB040D SPB040N
SPB165R SPB265R SPB365R SPB465R	20 kA	65 kA	≤ 1.45 kV	63A"C"	160 AgG	25 kA _{rms}	SPB065R SPB065N

	LxWxH (mm)	LxWxH (mm)
	I _{max} = 15 kA, 40 kA	I _{max} = 65 kA
1P	65.7x17.5x98.7	77.5x17.5x98.7
2P	65.7x35.6x98.7	77.5x35.6x98.7
3P	65.7x53x98.7	77.5x53x98.7
4P	65.7x71x98.7	77.5x71x98.7

1P-3P (TN-C)



2P-4P (TN-S/TT)



Backup fuse		
	SPBx15D/R SPBx40D/R	SPBx65R
F1	F1 > 125 AgG ↓ F2 ≤ 125 AgG	F1 > 160 AgG ↓ F2 ≤ 160 AgG
F2	F1 ≤ 125 AgG ↓ 	F1 ≤ 160 AgG ↓

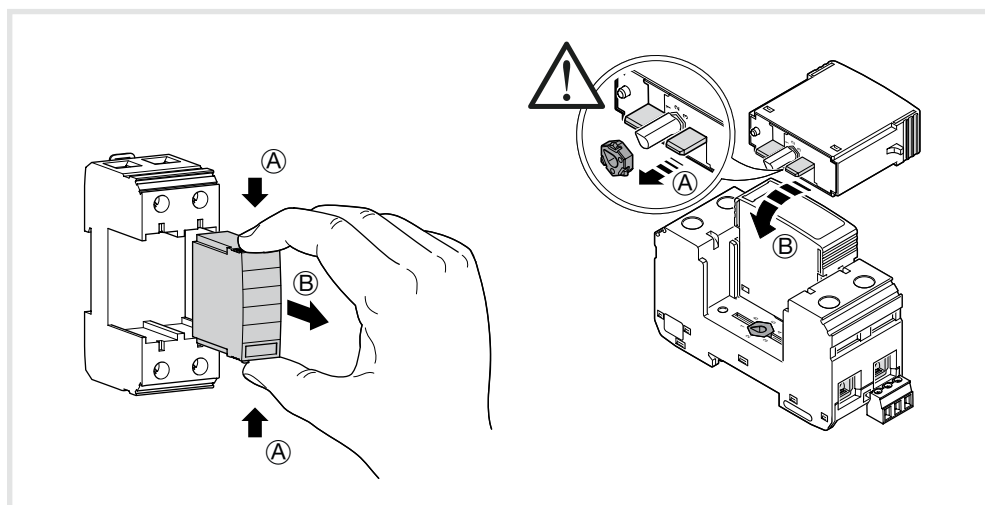
Backup MCB* (Isc = 10 kA)		
	SPBx15D/R SPBx40D/R	SPBx65R
C1	C1 > 32A "C" ↓ C2 ≤ 32A "C"	C1 > 63A "C" ↓ C2 ≤ 63A "C"
C2	C1 ≤ 32A "C" ↓ 	C1 ≤ 63A "C" ↓

*Refer to hager catalogue for MCB reference/
Voir catalogue pour les références de disjoncteurs

Type			SPBx15x SPBx40x	SPBx65R
F1 A/gG	S ₂ mm ²	S _{PE} mm ²	F2 A/gG	F2 A/gG
25	6	6	-	-
35	6	6	-	-
40	6	6	-	-
50	6	6	-	-
63	10	10	-	-
80	10	10	-	-
100	16	16	-	-
125	16	16	-	-
160	25	25	125	-
>160	25	25	125	160



SPB015D, SPB040D, SPB065R, SPB040N, SPB065N



SPBxxxR

<p>PZ2 0,25 Nm</p>	
U max./I max. AC :	250V/1.5 A
U max./I max. DC :	30V/1 A
0.14 - 1.5 mm ² AWG 28 - 16	
<p>7 mm</p>	<p>7 mm</p>